

# ADAPTIX™ ASJ-GRSTD-150

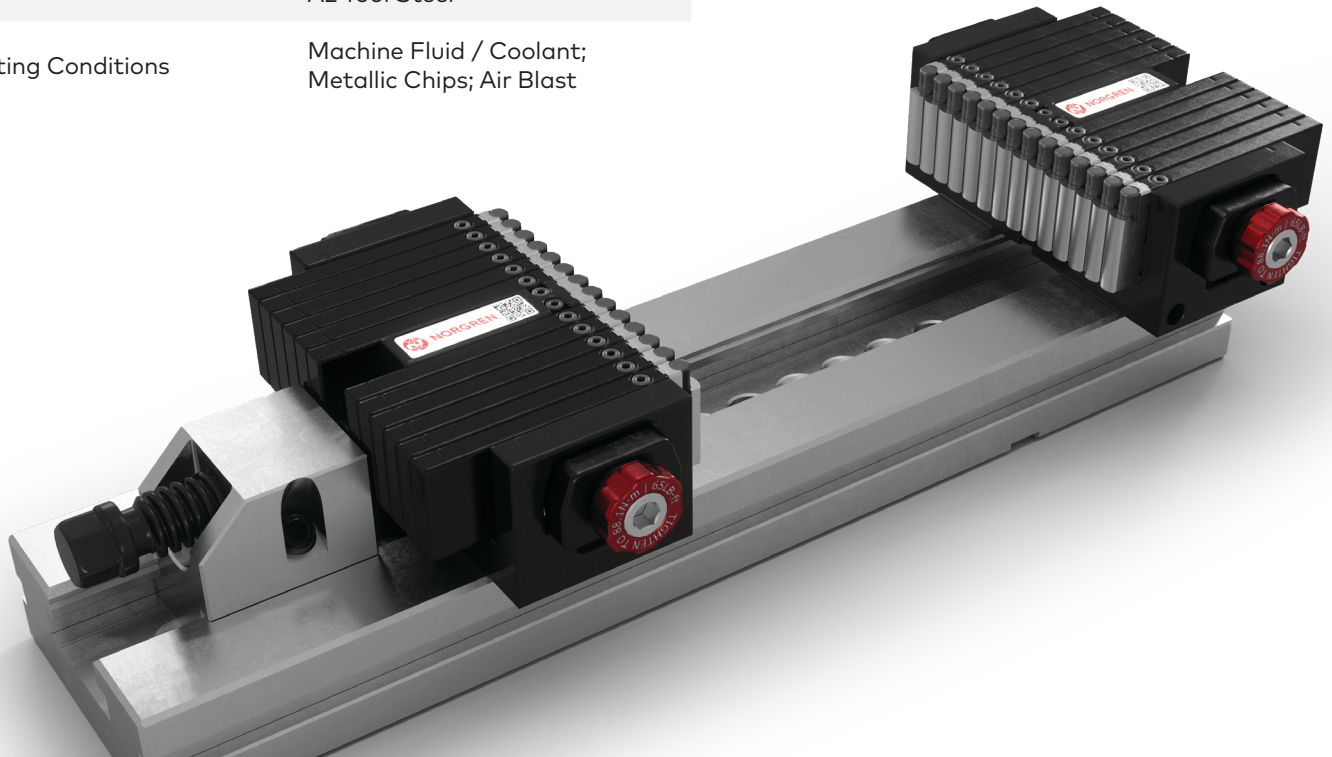
## Technical Features

Compatible with Gerardi STD 150 Vice

Compatible Vice	Description	Model Size	Tip Step Height	Stud Profile	Weight	Part Number
Gerardi STD 150	ADAPTIX™ Only	150mm (6")	6mm	Round	14.14kg (31.2lbs)	ASJ-GRSTD-150-HST-RO-06

### Materials

Housing	AISI 4140 Alloy Steel
Fingers	AISI 4140 Alloy Steel
Tips	AISI 4140 Alloy Steel
Studs	A2 Tool Steel
Operating Conditions	Machine Fluid / Coolant; Metallic Chips; Air Blast



**Repeatability:**  
25 micron  
(0.001")



**Clamping Force:**  
31kN  
(7000 lbs.)

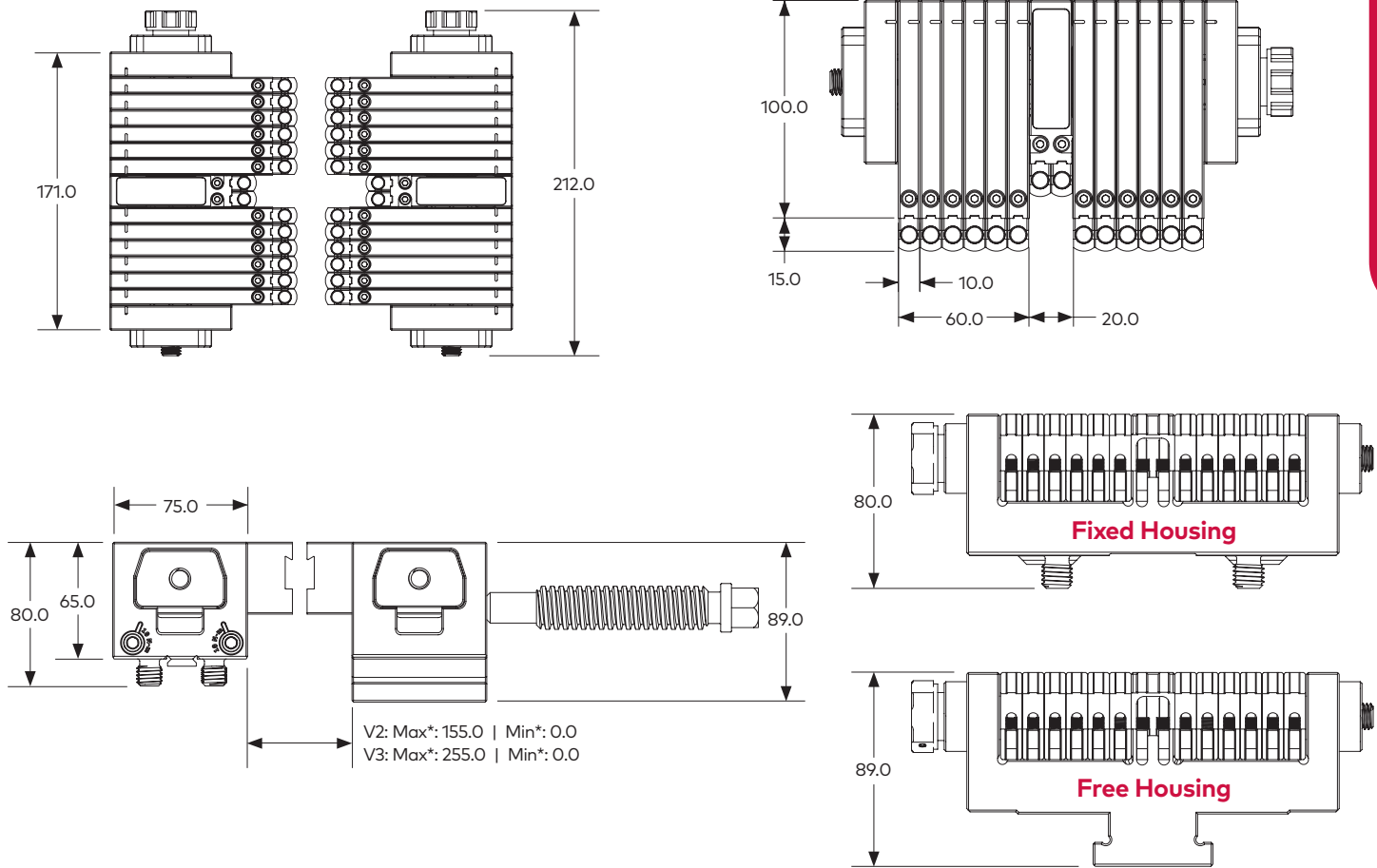


**Locking Bolt Torque:**  
88N-m  
(65lbf-ft)

Note: The overall repeatability will depend on the specification of the vice. Please check manufacturers details.

# ADAPTIX™ Key Specifications

**ASJ-GRSTD-150**



\*Jaw opening face-to-face  
All dimensions in millimeters

## ADAPTIX™ Accessories

Stud Multi-Packs - Contains 30 x Studs			
Material	Profile	Qty.	Part Number
Hard Steel	Round	30	ASJ-HST-RO-30
Hard Steel	Free Rotating	30	ASJ-HST-FS-30
Hard Steel	Serrated	30	ASJ-HST-ST-30
Hard Steel	Free Rotating - for 6mm Tips	30	ASJ-HST-FS-06-30
Hard Steel	Concave - for 6mm Tips	30	ASJ-HST-CR-06-30

Tip Multi-Packs - Contains 30 x Tips			
Step Height	Qty.	Part Number	
3mm	30	ASJ-FNGRTP-03-30	
6mm	30	ASJ-FNGRTP-06-30	
10mm	30	ASJ-FNGRTP-10-30	

## ADAPTIX™ Spares

Spare Stud - Contains 1 x Stud			
Material	Profile	Qty.	Part Number
Hard Steel	Round	1	ASJ-HST-RO
Hard Steel	Free Rotating	1	ASJ-HST-FS
Hard Steel	Serrated	1	ASJ-HST-ST
Hard Steel	Free Rotating - for 6mm Tips	1	ASJ-HST-FS-06
Hard Steel	Concave - for 6mm Tips	1	ASJ-HST-CR-06

Spare Tip - Contains 1 x Tip			
Step Height	Qty.	Part Number	
3mm	1	ASJ-FNGRTP-03	
6mm	1	ASJ-FNGRTP-06	
10mm	1	ASJ-FNGRTP-10	



Norgren operates four global centers of technical excellence and a sales and service network in 50 countries, as well as manufacturing capability in Brazil, China, Czech Republic, Germany, India, Mexico, UK and the USA. **Supported by distributors worldwide.**

For information on all Norgren companies visit [www.norgren.com](http://www.norgren.com)



**For more information scan QR code**  
or visit [norgrenworkholding.com](http://norgrenworkholding.com)

ADAP-GRSTD-150-DS-062023