

ADAPTIX™ ASJ-RMRKE-125

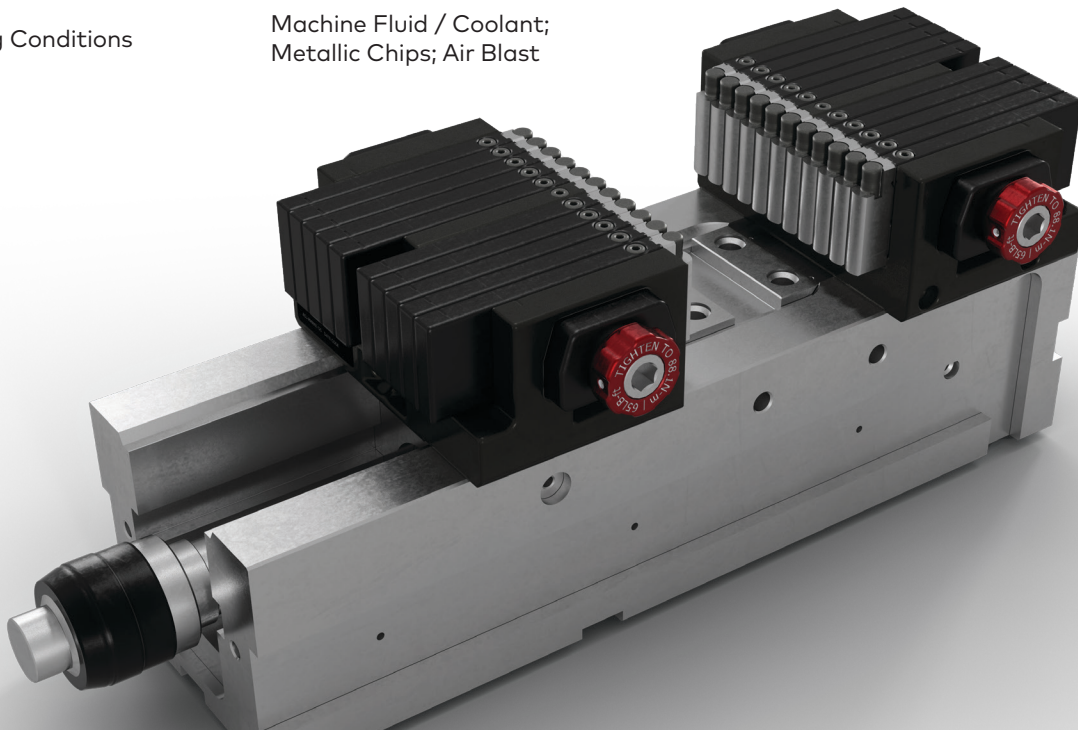
Technical Features

Compatible with Rohm RKE 125 Vice

Compatible Vice	Description	Model Size	Tip Step Height	Stud Profile	Weight	Part Number
Rohm RKE 125	ADAPTIX™ Only	125mm (5")	6mm	Round	11.57kg (25.5lbs)	ASJ-RMRKE-125-HST-RO-06

Materials

Housing	AISI 4140 Alloy Steel
Fingers	AISI 4140 Alloy Steel
Tips	AISI 4140 Alloy Steel
Studs	A2 Tool Steel
Operating Conditions	Machine Fluid / Coolant; Metallic Chips; Air Blast



Repeatability:
25 micron
(0.001")



Clamping Force:
31kN
(7000 lbs.)

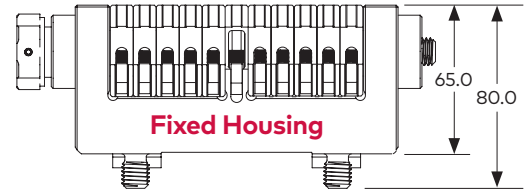
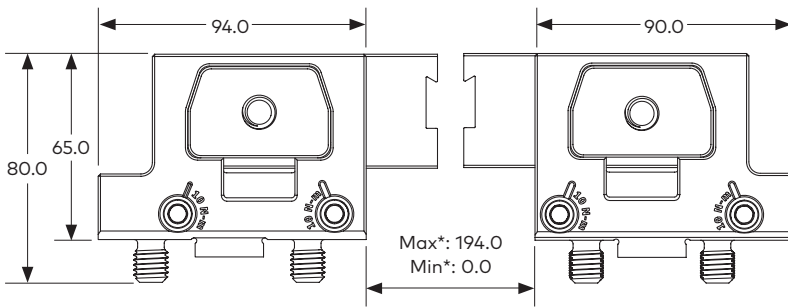
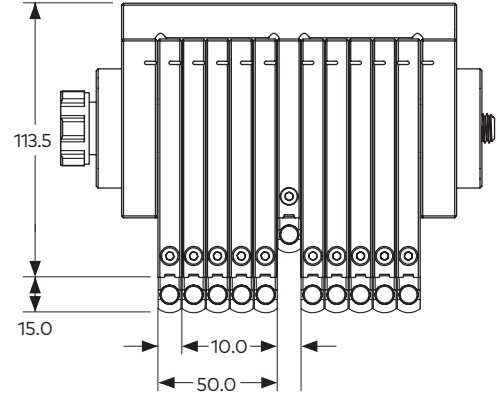
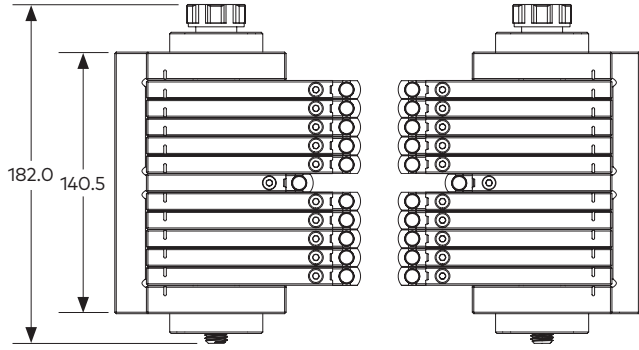


Locking Bolt Torque:
88N·m
(65lbf·ft)

Note: The overall repeatability will depend on the specification of the vice. Please check manufacturers details.

ADAPTIX™ Key Specifications

ASJ-RMRKE-125



*Jaw opening face-to-face
All dimensions in millimeters

ADAPTIX™ Accessories

Stud Multi-Packs - Contains 24 x Studs			
Material	Profile	Qty.	Part Number
Hard Steel	Round	24	ASJ-HST-RO-30
Hard Steel	Free Rotating	24	ASJ-HST-FS-30
Hard Steel	Serrated	24	ASJ-HST-ST-30
Hard Steel	Free Rotating - for 6mm Tips	24	ASJ-HST-FS-06-30
Hard Steel	Concave - for 6mm Tips	24	ASJ-HST-CR-06-30

Tip Multi-Packs - Contains 30 x Tips			
Step Height	Qty.	Part Number	
3mm	24	ASJ-FNGRTP-03-30	
6mm	24	ASJ-FNGRTP-06-30	
10mm	24	ASJ-FNGRTP-10-30	

ADAPTIX™ Spares

Spare Stud - Contains 1 x Stud			
Material	Profile	Qty.	Part Number
Hard Steel	Round	1	ASJ-HST-RO
Hard Steel	Free Rotating	1	ASJ-HST-FS
Hard Steel	Serrated	1	ASJ-HST-ST
Hard Steel	Free Rotating - for 6mm Tips	1	ASJ-HST-FS-06
Hard Steel	Concave - for 6mm Tips	1	ASJ-HST-CR-06

Spare Tip - Contains 1 x Tip			
Step Height	Qty.	Part Number	
3mm	1	ASJ-FNGRTP-03	
6mm	1	ASJ-FNGRTP-06	
10mm	1	ASJ-FNGRTP-10	



Norgren operates four global centers of technical excellence and a sales and service network in 50 countries, as well as manufacturing capability in Brazil, China, Czech Republic, Germany, India, Mexico, UK and the USA. **Supported by distributors worldwide.**

For information on all Norgren companies visit www.norgren.com



For more information scan QR code
or visit norgrenworkholding.com

ADAP-RMRKE-125-DS-062023